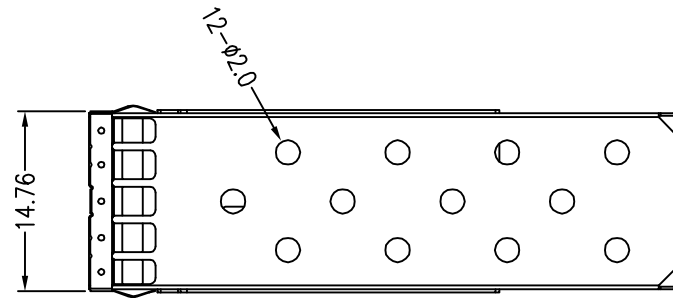


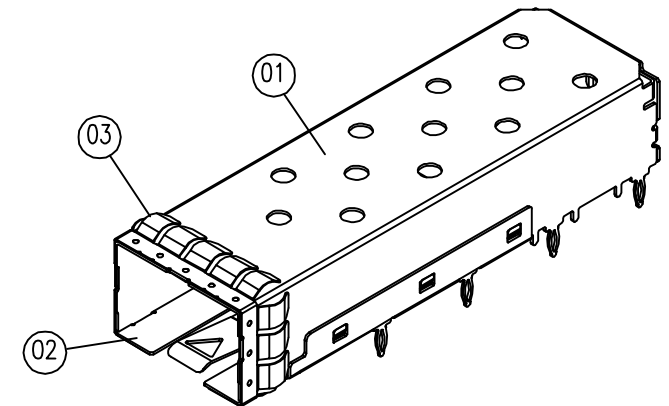
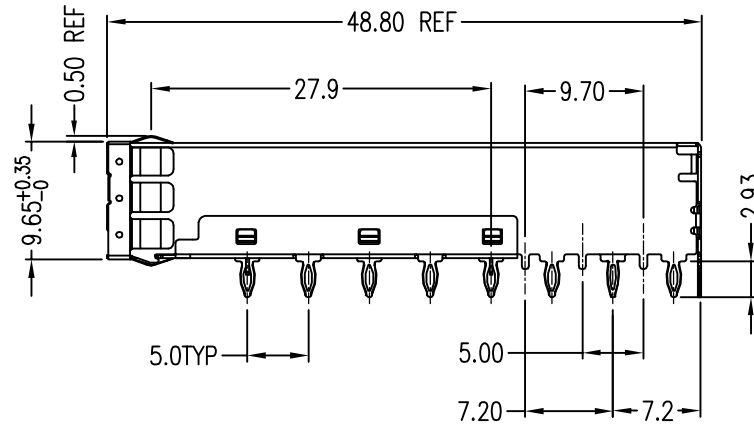
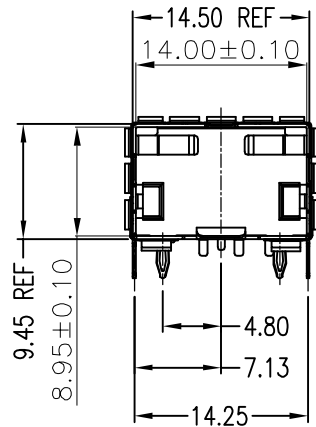
RoHS Compliant HF

REV.	ECN.NO.	MODIFY.CONTENT
A	/	NEW



NOTE:

- | | | |
|--------------------|------------------|-------------|
| 1. DESCRIPTION | MATERIAL | PLATING |
| 01 SFP TOP CAGE | COPPER T=0.25mm. | MATT NICKLE |
| 02 SFP BOTTOM CAGE | COPPER T=0.25mm. | MATT NICKLE |
2. PLATED: PLATED NICKEL 50u"-350u" Max
3. TEMPERATURE:
4. RoHS COMPLIANT
- OPERATION: -40°C~ +85°C
- STORAGE: -40°C~ +85°C

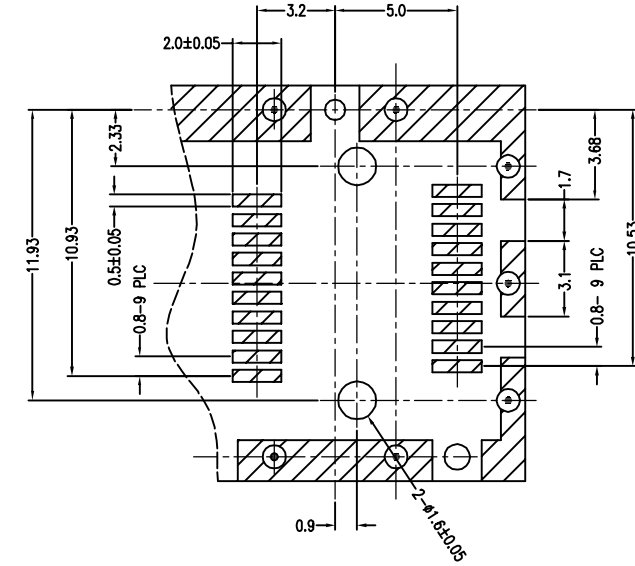
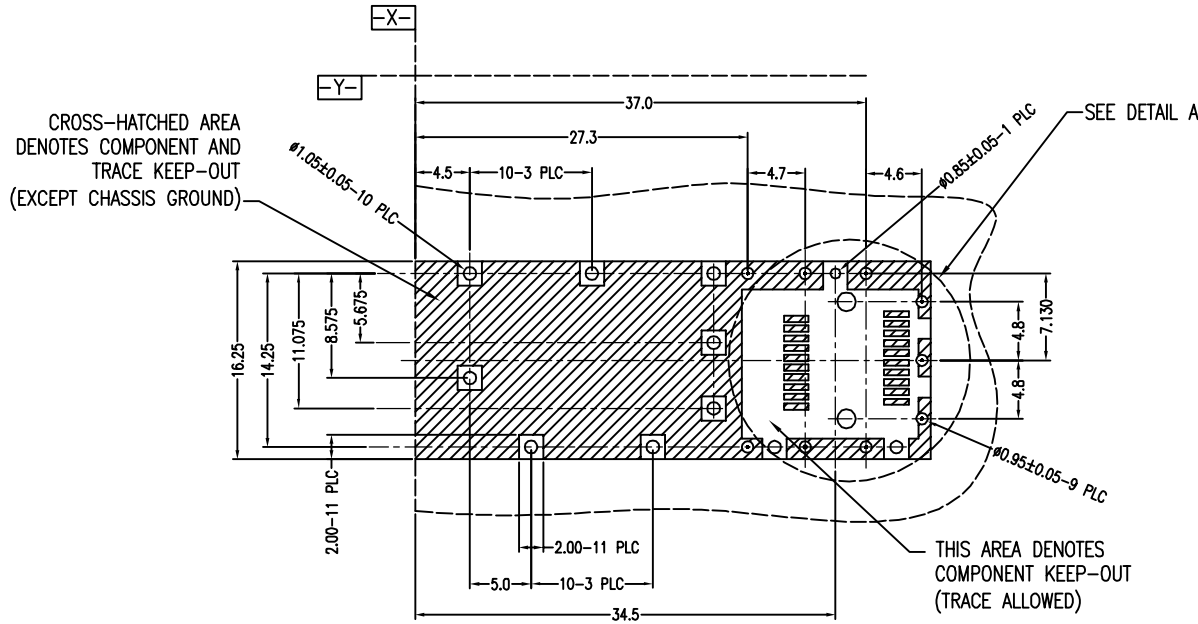
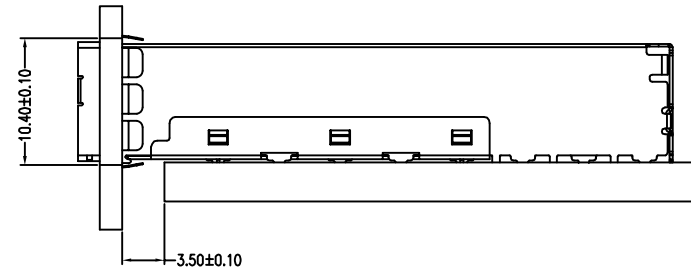
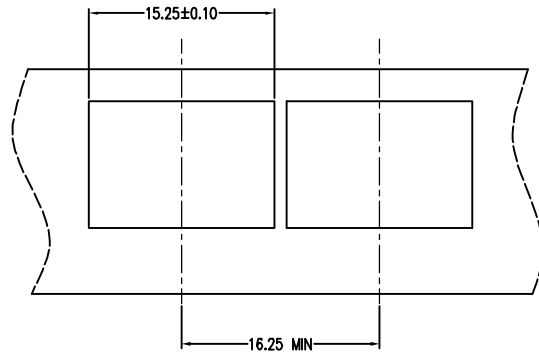


GENERAL TOLERANCE		DWG.NO.	SFP1-01010-0012	PART.NO.	SFP1-01010-0012	DRAWN	Tony 2020.08.22
x.±0.35	x.*± 1°	REV.	A	TITLE	SFP+1*1CAGE 压接脚	CHECKED	
.x±0.30	.x*± 0.5°	SIZE		SHEET	1 OF 2	APPROVED	
.xx±0.20		A4					

UNIT	mm	SCALE	NO SCALE
东莞市欧联电子科技有限公司 DONGGUAN OLN ELECTRONICS TECHNOLOGY CO., LTD.			

RoHS
Compliant **HF**

REV.	ECN.NO.	MODIFY.CONTENT
A	/	NEW



DETAIL A
SCALE 2:1

PCB LAYOUT THICKNESS=3.0mm (TOP VIEW)

GENERAL TOLERANCE	DWG.NO.	SFP1-01010-0012	PART.NO.	SFP1-01010-0012	DRAWN	Tony 2020.08.22
x.±0.35	REV.	A	TITLE	SFP+1*1CAGE 压接脚	CHECKED	
.x±0.30	SIZE	A4	SHEET	1 OF 2	APPROVED	
.xx±0.20						

OLN 东莞市欧联电子科技有限公司
DONGGUAN OLN ELECTRONICS TECHNOLOGY CO., LTD.